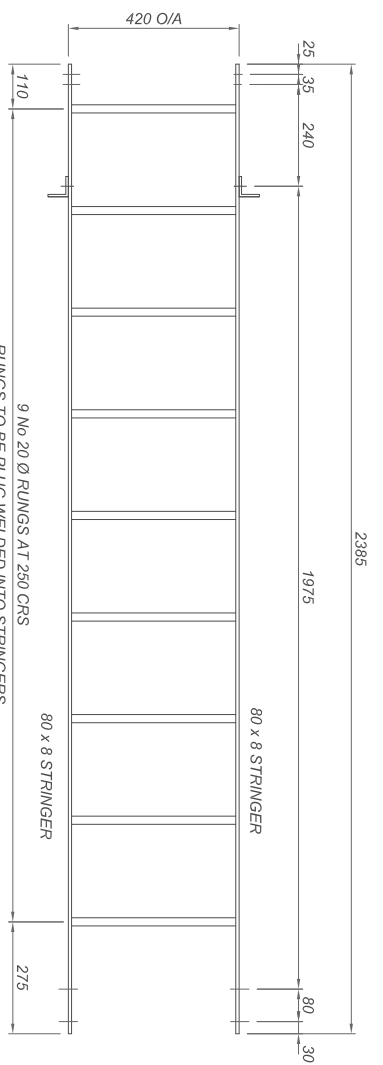
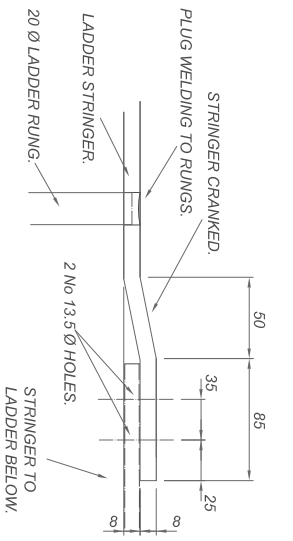


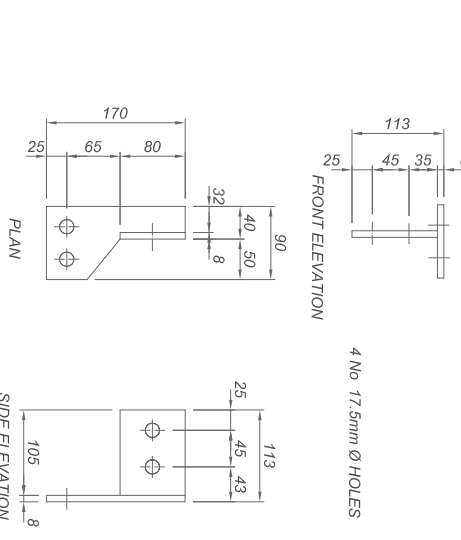
LADDER MK GBL2 - 1 No THUS



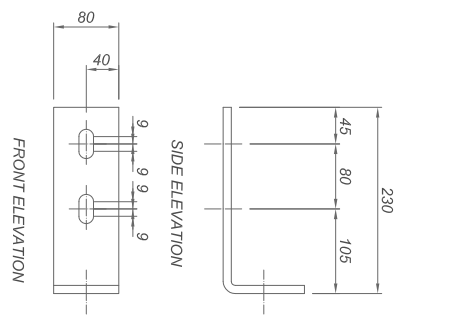
LADDER MK GBL1 - 1 No THUS



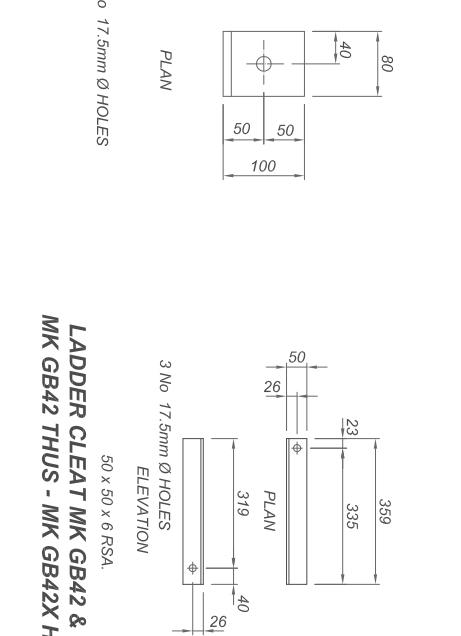
LADDER SPLICE DETAIL.



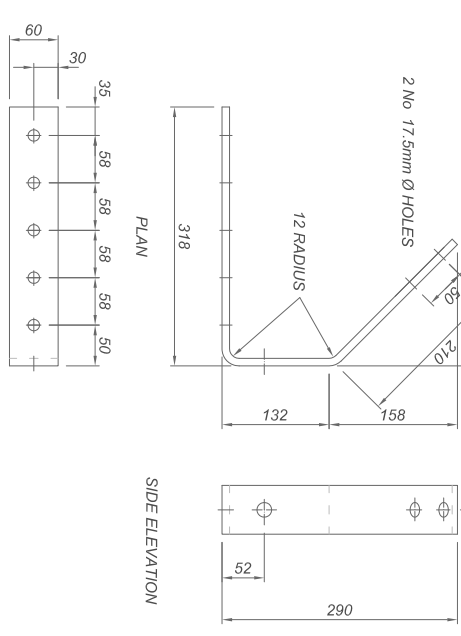
LADDER CLEAT MK GB44
1 No THUS, 1 No HANDED



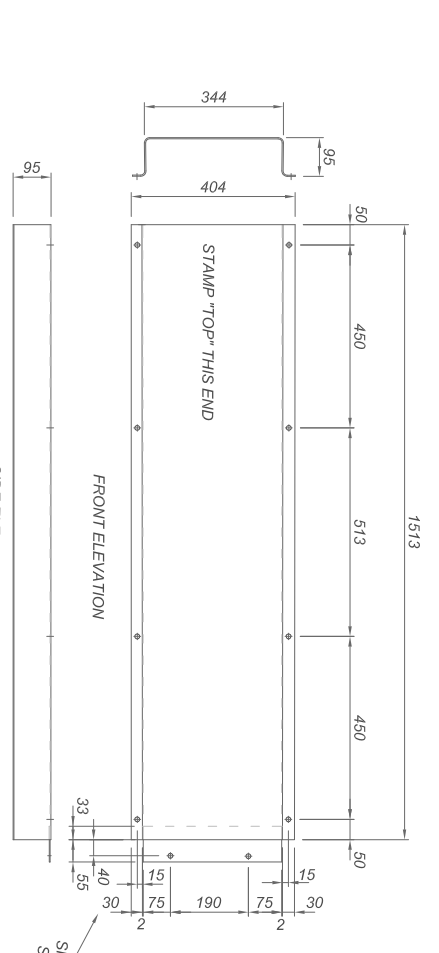
LADDER CLEAT MK GB43 - 2 No THUS



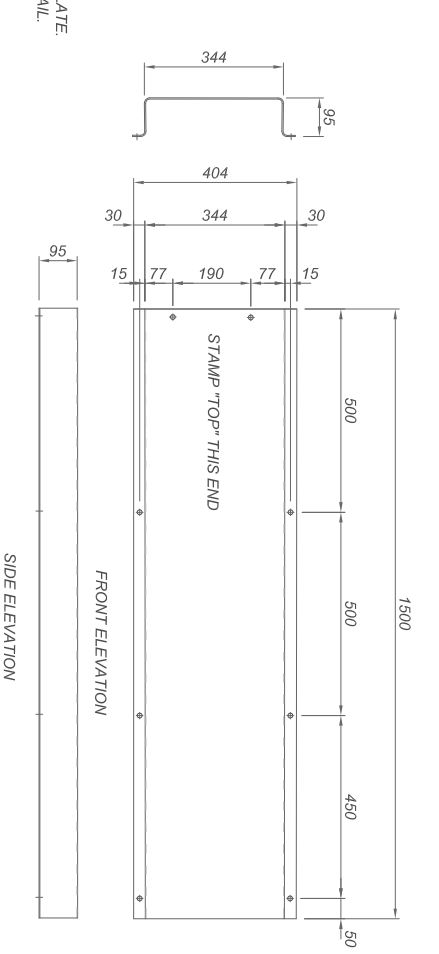
LADDER CLEAT MK GB42 & GB42X
MK GB42 THUS - MK GB42X HANDED



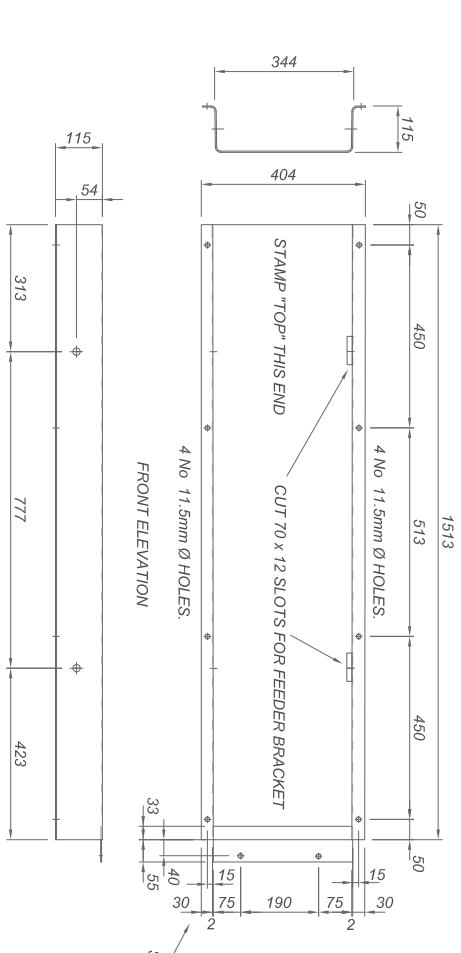
FEEDER BRACKET MK GB45 - 5 No THUS



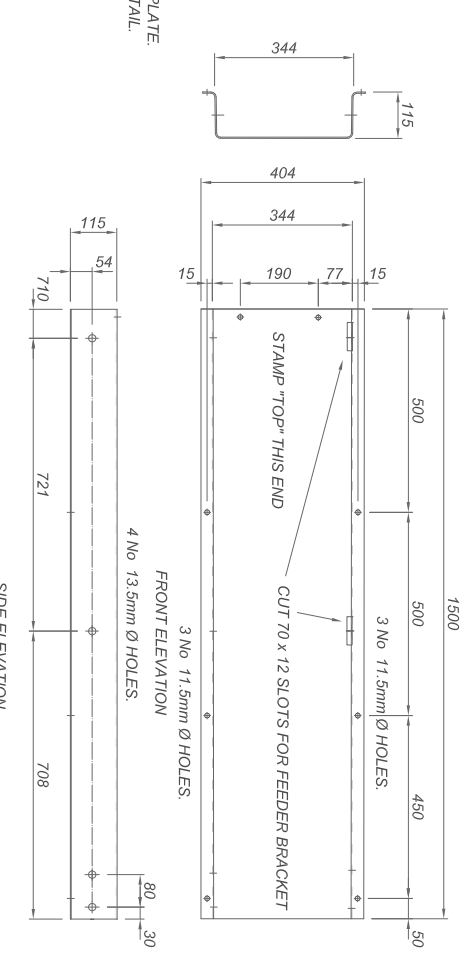
FRONT TOP COVER PLATE MK GBFCP4



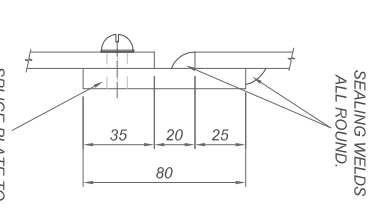
FRONT LOWER COVER PLATE MK GBFCP2



BACK TOP COVER PLATE MK GBBCP3



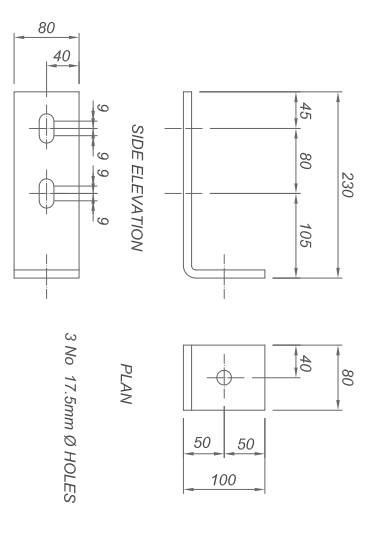
BACK LOWER COVER PLATE MK GBBCP1



DETAIL AT FEEDER DUCT SPLICE

GENERAL NOTES.

1. DO NOT SCALE THIS DRAWING.
2. ALL DIMENSIONS ARE IN MM UNLESS OTHERWISE SPECIFIED
3. THIS DRAWING TO BE READ IN CONJUNCTION WITH DRG Nos 12599/L/100 & 110.
- STEELWORK:
- 4) ALL MATERIAL TO BE GRADE S275/J0 TO BS EN 10025.
- 5) THERMAL CUTTING OF HOLES NOT TO BE USED.
- 6) ALL WELDING TO BE CARRIED OUT IN ACCORDANCE WITH BS EN1011-2: 2001 AND BS EN 288 BY AN APPROVED WELDER CONFORMING TO THE REQUIREMENTS OF BS EN 287, PART 1
- 7) HOLES TO BE 1.5mm LARGER THAN BOLTS.
- 8) ALL STEEL AND BOLTS TO BE HOT DIPPED GALVANISED TO BS EN ISO 1461
- 9) ALL BOLTS TO BE GRADE 8.8 IN COMPLIANCE WITH BS 4190 AND SUPPLIED WITH RECTANGULAR SECTION SINGLE COIL SPRING WASHERS TO BS 4320 UNLESS NOTED OTHERWISE.
- 10) REFER TO MATERIAL LIST 12599/MGB2 AND BOL T LIST 12599/BGB1.



LADDER CLEAT MK GB46 - 2 No THUS

Project		ARQIVA : GIBRALTAR DTT & DAB TOWER	
Title		FABRICATION DETAILS LADDER & FEEDER DUCT	
Scale	N T S	Drawn by	RC
Date	20.07.12	Checked by	MDW

Rev	Date	By	CONSTRUCTION ISSUE	MM
A	09/08/12	MM	GENERAL UPDATE	MM
B	31/07/12	MM	PRELIMINARY ISSUE	MM
				Child

MM Structures

Telecommunication Design & Management

Tempest Mews, Broughton Hall Business Park, Broughton,
Skipton, North Yorkshire, BD23 3AE
Telephone : +44 (0) 1756 700 942

Scale	N T S	Drawn by	RC
Date	20.07.12	Checked by	MDW
12599/L/111B			